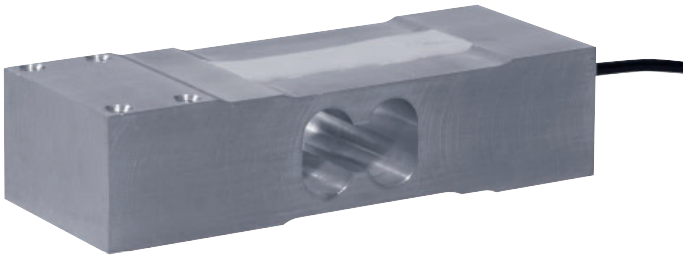
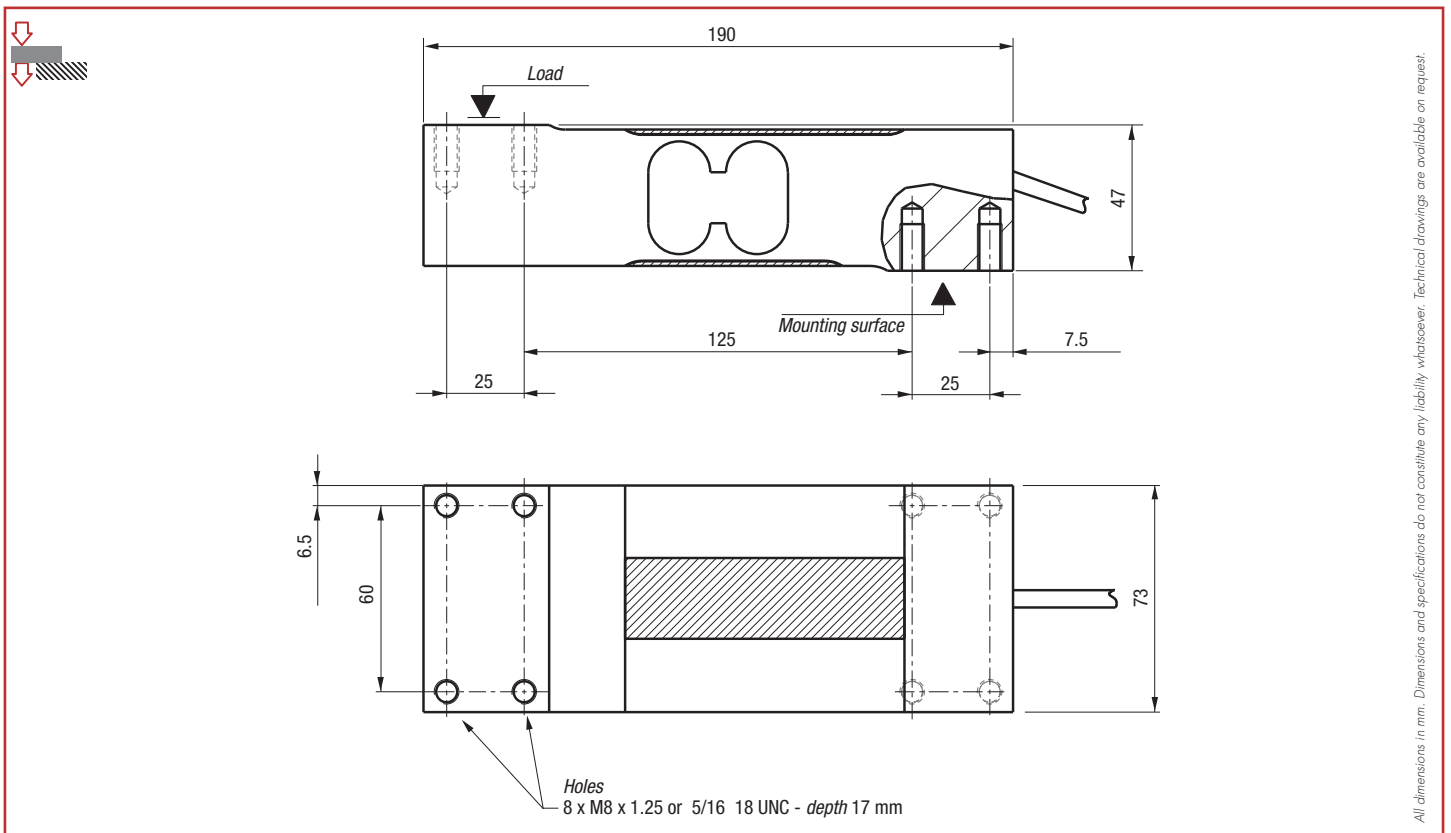


AP

75 kg ... 635 kg



- Aluminum construction, protection class IP65
- 3 000 d OIML R60 and 5 000 d NTEP approved
- Off-center load compensated
- Super flat construction



Wiring

+ excit.	+ signal	- signal	- excit.	+ sense	- sense
brown	yellow	white	green	grey	pink



AP

75 kg ... 635 kg

Specifications

METROLOGICAL		C3 10e
Rated capacity (Cn)	75, 100, 150, 200, 300, 500, 635	kg
Combined error		±0.017 %Cn
Temperature effect on zero		±0.0014 %Cn/°C
Temperature effect on sensitivity		±0.0014 %Cn/°C
Creep error (30 min.)		±0.025 %Cn
Maximum platform size	700 x 700	mm
LEGAL METROLOGY OIML R60		
Accuracy class		C3
Maximum capacity (E _{max})	75, 100, 150, 200, 300, 500, 635	kg
Max. number of LC intervals (n _{max})		3 000 d OIML
Minimum verification interval (v _{min})		E _{max} /10 000 kg
Z=E _{max} /(2×DR)		3 000
ELECTRICAL		
Nominal range of excitation voltage		1 ... 15 V
Rated output at Cn		2 ±10 % mV/V
Zero balance		±10 %Cn
Input/output resistance	410 ±20 / 350 ±5	Ω
Insulation resistance		1 000 MΩ/50V
GENERAL		
Compensated temperature range		-10 ... +40 °C
Service temperature range		-20 ... +60 °C
Safe load limit		150 %E _{max}
Ultimate overload		200 %E _{max}
Tightening torque		40 Nm
Protection class		IP65 EN 60529
Material		
Measuring body		Aluminum
Cable sheath		PVC
Cable length		3 m
Net weight		1.6 kg

Options

ATEX 2014/34/EU, IECEx

Ⓢ II 1 G/D, Ex ia IIC T6 Ga, Ex ia IIIC T80°C Da, IP6X, -20°C < Ta < +60°C (zone 0/20)


Ⓢ II 1 D, Ex ta IIIC T125°C Da, IP6X, -20°C < Ta < +60°C (zone 20)


Ⓢ II 3 G, Ex nA IIC T6 Gc, -20°C < Ta < +60°C (zone 2)


Accessories


scaime

Distributed exclusively in Italy by Nonis Balance

 TechnositeAltéa-294,Rue Georges
Charpak,74100JUVIGNY, France
NONIS
Impianti di pesatura industriali
 P.za Elvo Tempia, 12,
13836 Cossato (BI), Italia

 info@nonisbalance.com

 +39 0159842291

 www.nonisbalance.com