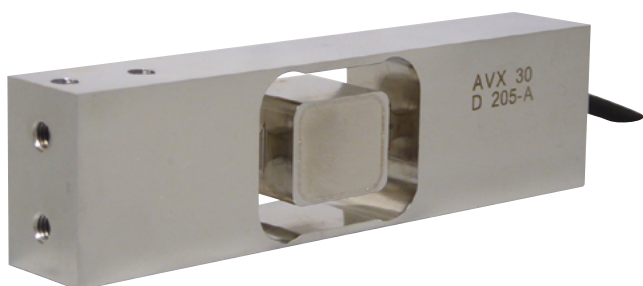
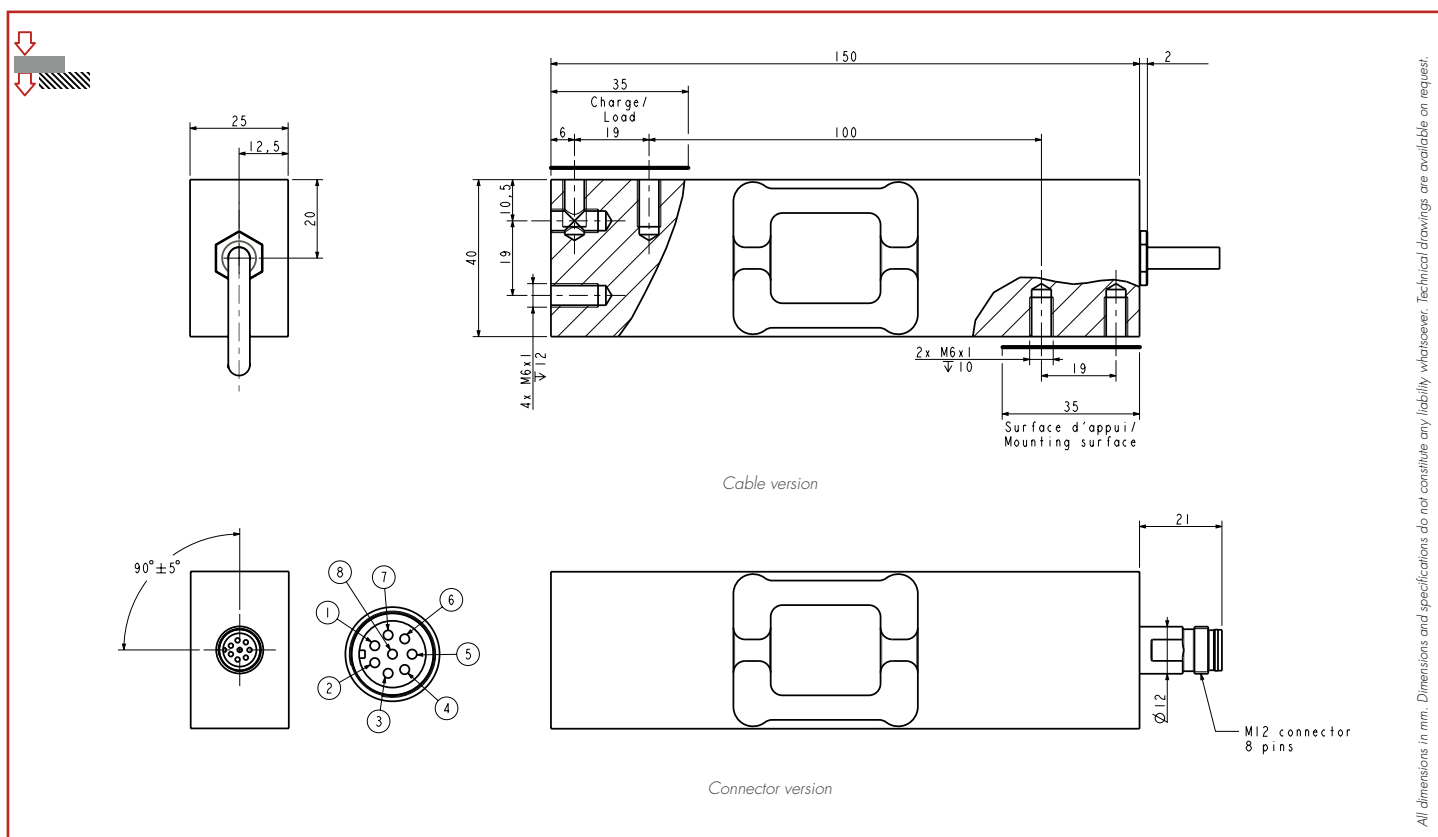


AVX

7.5 kg ... 125 kg



- Stainless steel construction, sealed (IP68, IP69K)
- Approved up to 6000 d OIML R60
- Ideally suited for scales or dosing machines used in wet environments
- Off-center load compensated
- Optional connector output
- Optional calibrated output signal



Wiring cable version

+ excit.	+ signal	- signal	- excit.	+ sense	- sense
brown	yellow	white	green	grey	pink

Wiring connector version

+ excit.	+ signal	- signal	- excit.	+ sense	- sense
7	1	8	6	3	5



Specifications

METROLOGICAL	C3 15e	C5 15e	C6 15e	
Rated capacity (Cn)	7.5,15, 30, 75,125	125	15, 30, 75	kg
Combined error	±0.017	±0.01	±0.008	%Cn
Temperature effect on zero	±0.0009	±0.0009	±0.0009	%Cn/°C
Temperature effect on sensitivity	±0.0014	±0.0007	±0.0007	%Cn/°C
Creep error (30 min.)	±0.025	±0.012	±0.012	%Cn
Maximum platform size	≤ 30 kg : 500 x 400 / ≥ 75 kg : 600 x 400			mm
LEGAL METROLOGY OIML R60				
Accuracy class	C3	C5	C6	
Maximum capacity (E _{max})	7.5,15, 30, 75,125	125	15, 30, 75	kg
Max. number of LC intervals (n _{max})	3 000	5000	6 000	d OIML
Minimum verification interval (v _{min})	0.5, 1, 2, 5, 8.3	8.3	1, 2, 5	g
Z=E _{max} /(2xDR)	3 000	6000	6 000	d OIML
ELECTRICAL				
Nominal range of excitation voltage				1 ... 15 V
Rated output at Cn	1.8 ±10% (7.5 kg), 2 ±10% (option 1.96 ±0.1%*)			mV/V
Zero balance				± 10 %Cn
Input/output resistance	385 ±20 / 350 ±5 (option 350 ±0.3*)			Ω
Insulation resistance				5 000 MΩ/50V
GENERAL				
Compensated temperature range				-10 ... +40 °C
Service temperature range				-20 ... +60 °C
Safe load limit				150 %E _{max}
Safe load limit, at fixing point				300 %E _{max}
Transversal safe load limit	≤ 15 kg : 500 / 30 kg : 700 / > 30 kg : 300			%E _{max}
Tightening torque				15 Nm
Protection class				IP68 / IP69K EN 60529
Material				
Measuring body				Stainless steel
Cable gland				Stainless steel
Cable sheath				PVC
Cable length				3 m
Net weight				0.9 kg

Options

Connector output	M12 – Lumberg 8 pts
*Calibrated output signal	resistance

Accessories

Connection cables	M12 8pts, 2/5 m
-------------------	-----------------