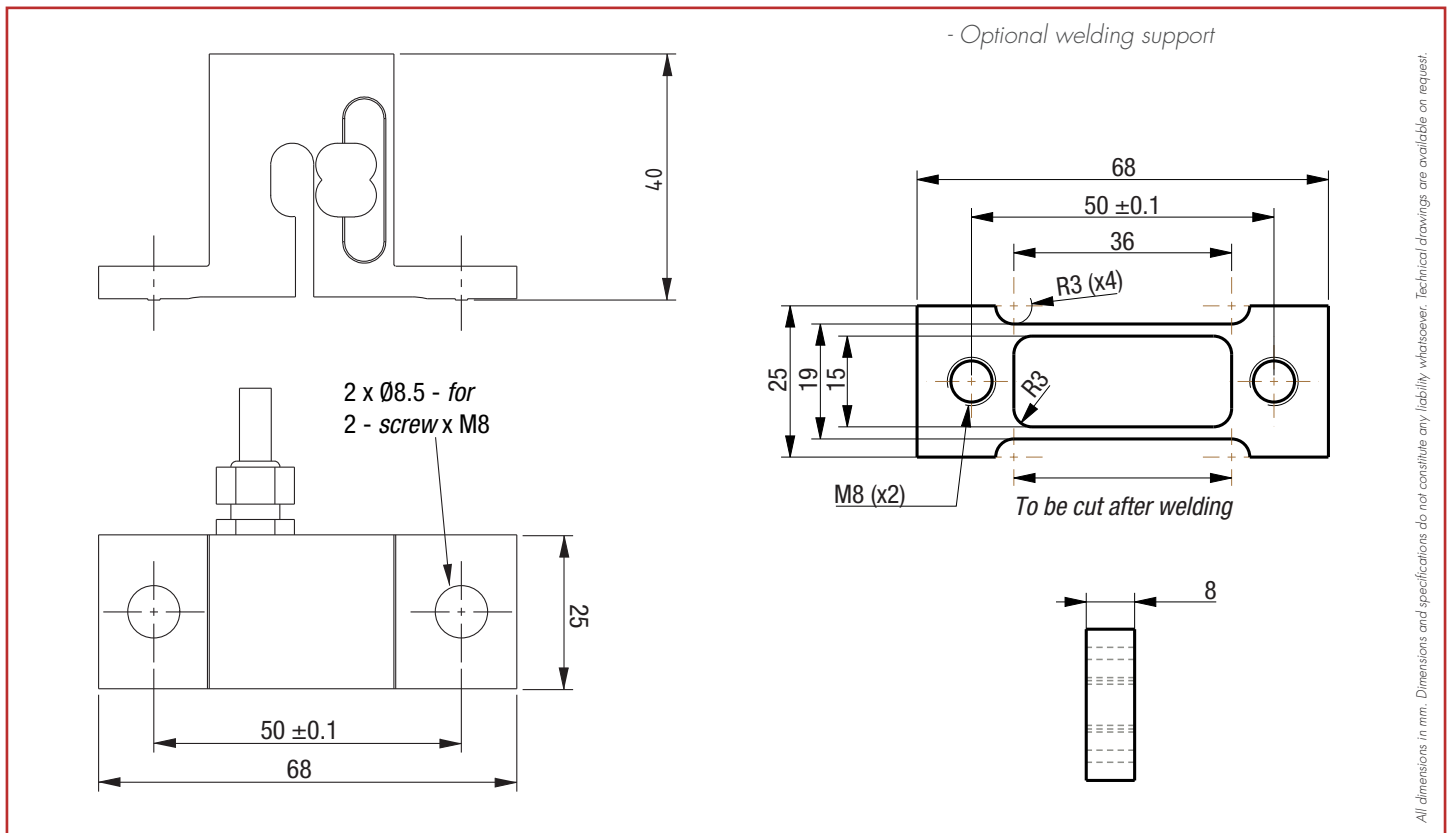


EPSI AX-V

± 500 µm/m



- Made of stainless steel, sealed IP68
- Fixing by screws
- Low stiffness
- Digital compensation of the thermal expansion
- High sensitivity, no disturbances
- No shift, No zero drift



All dimensions in mm. Dimensions and specifications do not constitute any liability whatsoever. Technical drawings are available on request.

Wiring

VCC	V output / serial line	0 V	mA output	Shield
red	white ¹	black	blue ^{1,2}	yellow/green

¹ To be insulated if not used

² Current loop between I and 0 V

EPSI AX-V

± 500 µm/m

Presentation

This sensor is particularly suited to outdoors and harsh environment applications:

- on-board weighing of vehicles
- overload control on lift trucks
- port installations
- beam deflection of engineering structures
- level of tanks or silos outdoors

Specifications


GENERAL		
Measurand		Strain
Measuring range (E.M.)	±500	µm/m
Max. extension capacity	±2 500	µm/m
Voltage output (V _{out})	0 ... 5	V
Standard sensitivity	250	µm/m/V
Repeatability	±0.2	% E.M.
Linearity	±0.5	% E.M.
Hysteresis	±0.5	% E.M.
Free offset voltage	2.5	V
Temperature compensation	-10 / +50*	°C
Temperature effect on zero	±0.05*	% E.M./°C
Power supply voltage	10.5 - 28	V
Rated supply current	15	mA
⁽¹⁾ Option: other values adjusted in factory * for steel support : ∞ = 12.10°°C		
GENERAL		
Protection level		IP68
Body material		Stainless steel
Operating temperature		-40 ... + 70°C
Cable length		5 m
SPECIFIC FEATURE mA OUTPUT		
mA output	0.1 ... 20 (25 mA max.)	mA
Max. load resistor	100 Ω @ 10.5 V / 500 Ω @ 20 V	
Standard sensitivity	50	µm/m/mA
Free offset current	12.5	mA
MECHANICAL		
Drilling center distance	50 ±0.1	mm
Standard clamping screws	M8 x 16 cl - grade 12-9	
Standard torque	40	mN
Special screws	M8 inox cl 80 - stainless grade 80*	
Special torque	30 (M8 cl - grade 80)	mN
*Screws not included		





Distributed exclusively in Italy by Nonis Balance


 TechnositeAltéa-294,Rue Georges
Charpak,74100JUVIGNY, France



 P.za Elvo Tempia, 12,
13836 Cossato (BI), Italia

 info@nonisbalance.com

 +39 0159842291

 www.nonisbalance.com