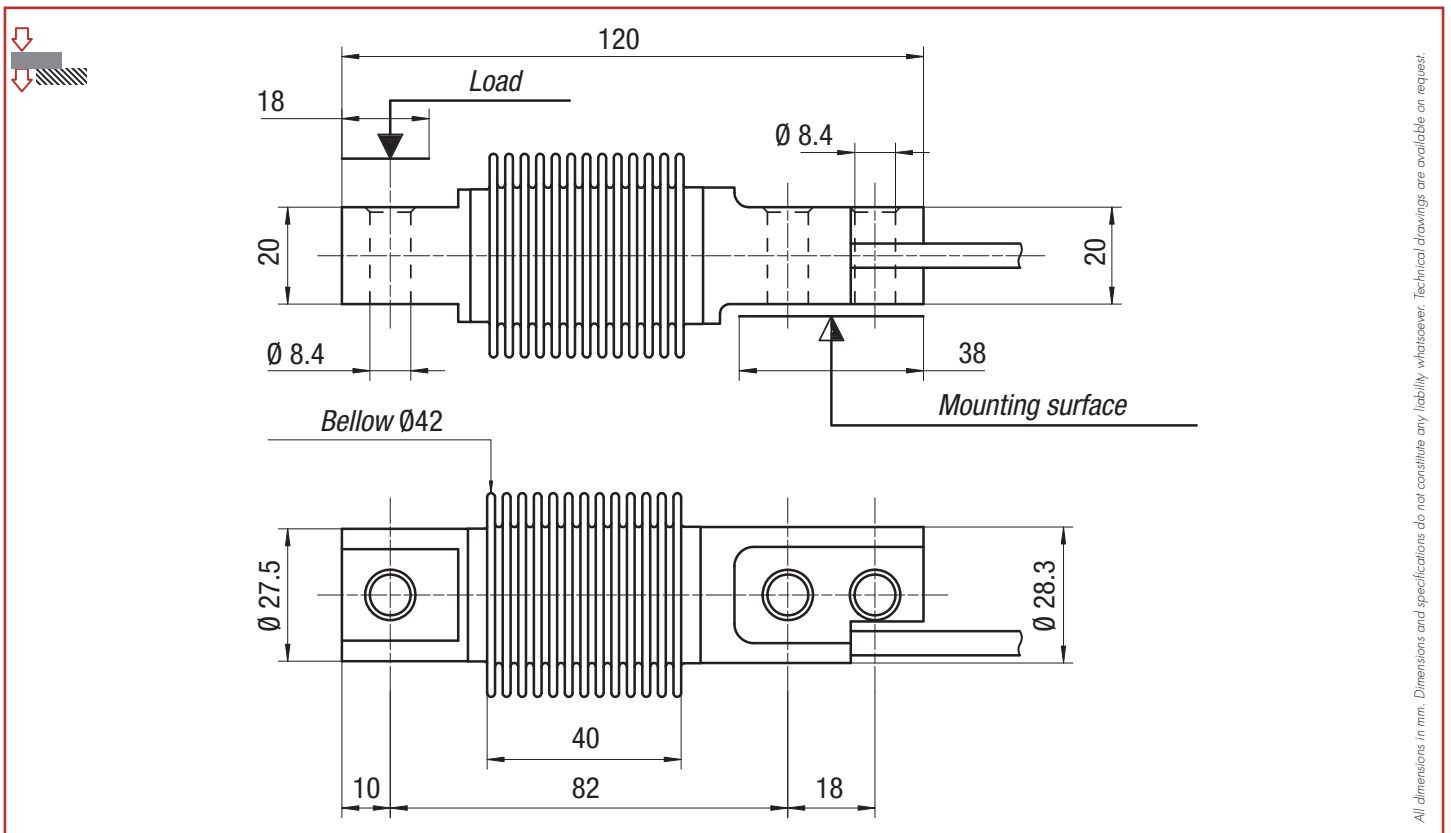


F60X 500

5 kg ... 500 kg



- Stainless steel construction hermetically sealed to IP68
- Up to 6 000 d OIML approved
- Ideally suited for any industrial weighing application where a high accuracy is needed
- Optimized alignment as an option



F60X 500

5 kg ... 500 kg

Specifications

METROLOGICAL	C1.5 3e 3	C3 10e	C6 10e	
Rated capacity (Cn)	5	10, 20, 50, 100, 200, 300, 500		kg
Combined error	±0.033	±0.017	±0.008	%Cn
Temperature effect on zero	±0.0042	±0.0014	±0.0014	%Cn/°C
Temperature effect on sensitivity	±0.0019	±0.0014	±0.0007	%Cn/°C
Creep error (30 min.)	±0.033	±0.025	±0.012	%Cn
Maximum platform size	-	-	-	mm

LEGAL METROLOGY OIML R60

	C1.5	C3	C6	
Accuracy class	C1.5	C3	C6	
Maximum capacity (E _{max})	6.6	13.1, 26.2, 65.5, 131, 262, 362, 602		kg
Max. number of LC intervals (n _{max})	1 500	3 000	6 000	d OIML
Minimum verification interval (v _{min})	Cn/3 300	Cn/10 000	Cn/10 000	kg
Z=E _{max} /(2xDR)	1 500	3 000	6 000	

ELECTRICAL

Nominal range of excitation voltage		1 ... 15	V
Rated output at Cn		2 ±1% (option ±0.05 %)	mV/V
Zero balance		±2.5	%Cn
Input/output resistance		385 ±20 / 350 ±5	Ω
Insulation resistance		5 000	MΩ/50V

GENERAL

Compensated temperature range		-10 ... +40	°C
Service temperature range		-20 ... +60	°C
Safe load limit		150	%E _{max}
Ultimate overload		200	%E _{max}
Tightening torque		25	Nm
Protection class		IP68	EN 60529
Material Measuring body		Stainless Steel	
Cable length		3	m
Net weight		0.45	kg

Options

ATEX 2014/34/EU, IECEx

Ⓢ II 1 G/D, Ex ia IIC T6 Ga, Ex ia IIIC T80°C Da, IP6X, -20°C < Ta < +60°C (zone 0/20)

Ⓢ II 1 D, Ex ta IIIC T125°C Da, IP6X, -20°C < Ta < +60°C (zone 20)

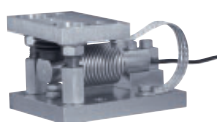
Ⓢ II 3 G, Ex nA IIC T6 Gc, -20°C < Ta < +60°C (zone 2)

FACTORY MUTUAL

I.S., CL I, II, III / DIV 1 / GP ABCDEFG

N.I., CL I, II, III / DIV 2 / GP ABCDEFG; NIFW

Accessories



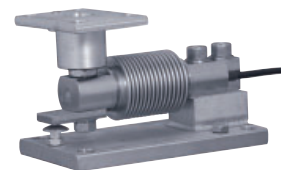
STABIFLEX-F



Foot IFC



MTPFA



RUBBERKIT-FX

scaimè

Distributed exclusively in Italy by Nonis Balance

TechnositeAltéa-294,Rue Georges
Charpak,74100JUVIGNY, France

NONIS
Impianti di pesatura industriali



P.za Elvo Tempia, 12,
13836 Cossato (BI), Italia

info@nonisbalance.com

+39 0159842291

www.nonisbalance.com