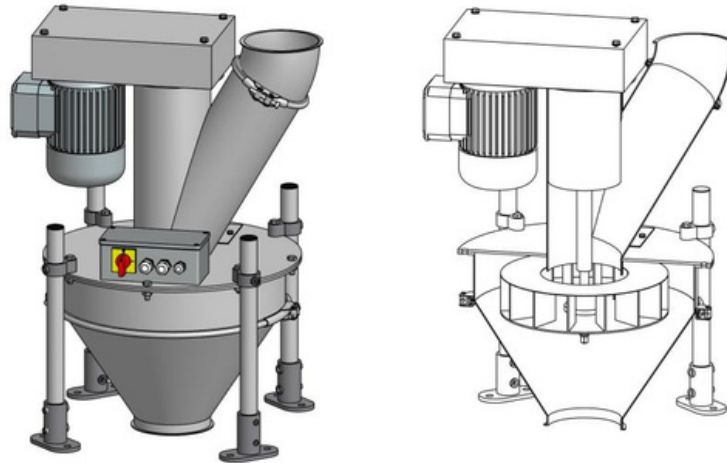




RC ROTOR SCALE

Continuous weighing of difficult-to-flow loose materials



Characteristics

- Closed system: hygienic and maintenance-free.
- Low installation height, easy to install
- Insensitive to vibrations
- Direct mass flow measurement with high precision
- Patented and proven measuring method Largely independent of the density of the bulk material

Applications

The RC rotor scale is suitable for the following applications:

- Continuous weighing of the bulk material flow for plant control and extraction calculation
- Frequency-controlled dosing for the production of mixtures or the addition of individual components

The RC rotor scale continuously weighs the bulk material flow

Function

In the RC rotor scale there is a horizontally arranged rotor which is driven by a constant speed three-phase motor. The product to be weighed is fed centrally to the rotor and accelerated. The resulting torque is recorded and measured by a torsion spring; is proportional to the mass flow rate.

Bulk goods

Suitable products are bulk materials that are difficult to flow, such as chips, dust, flour, waste, by-products and bran.





Construction

The RC rotor balancing consists of housing, motor, toothed belt drive, drive shaft, rotor plate and measurement technology. The housing is completely dustproof.

Dimensions

The following size is available:

Type	Pipe diameter	Maximum power approx.	Installation height
RC100	150mm	20 m ³ /h	823 mm

The housing is made of stainless steel as standard and the inlet is round.

Mechanical integration

The device is integrated via flare connections. The product must be fed directly onto the scale. Strong air currents must not be blown through the staircase; if necessary, a pressure equalization line must be installed.

Precision

Under operating conditions, measurement tolerance is typically 0.5%*.

Evaluation electronics type FE128

- Available for panel mounting (24 V DC) or in wall housing (230 V AC)
- Can be installed independently of the weighing unit
- With LCD display and keyboard
- Display of power and total weight
- Preselection function, when a predetermined amount expires an output is switched
- Pulse output in kg
- Analog power output (0-10V), 4-20mA optional
- Graphic recording for 48 hours
- 10 type-specific calibrations are possible
- Interface RS232/485, Profibus, Profinet, optional Ethernet/IP

Technical changes reserved.

** Based on a working range of 20-100% of maximum power. Deviations may occur depending on the power supply, product homogeneity and external sources of interference.*

