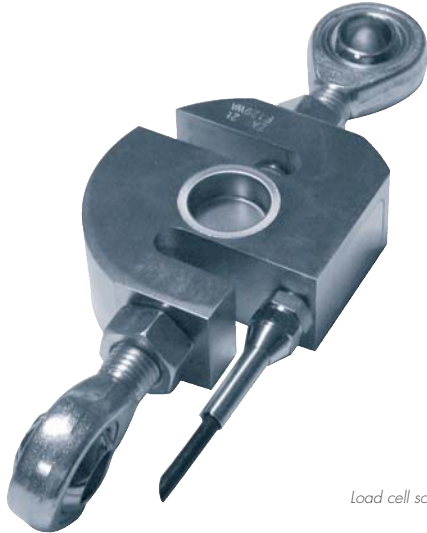




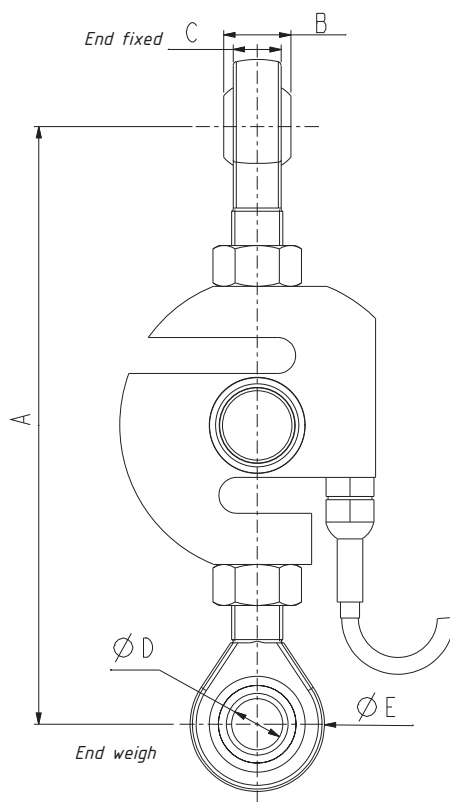
ROD ENDS

500 kg ... 7.5 t



Load cell sold separately

- Tension mounting kit
- Made of zinc plated steel
- Prevention of unwanted forces
- Adjustable height
- Kit includes 1 rod end ball joint and 1 jam nut.



ZA30X Cn	Tapping	Stat. max. load	A	B	C	D	E
0.5 t	M12 x 1,75	1 500	143...154	16	12	12	32
1, 2 t	M16 x 2	3 000	168 ... 187	21	15	16	42
5 t	M24 x 2	7 500	240 ... 254	31	22	25	60
7.5 t	M30 x 2	10 700	270 ... 294	37	25	30	70

- On drawing: 1 ZA30X load cell + 2 ZA30X rod end kits

All dimensions in mm. Dimensions and specifications do not constitute any liability whatsoever. Technical drawings are available on request.

scaimé

Distributed exclusively in Italy by Nonis Balance

TechnositeAltéa-294,Rue Georges
Charpak,74100JUVIGNY, France

NONIS
Impianti di pesatura industriali



P.za Elvo Tempia, 12,
13836 Cossato (BI), Italia

info@nonisbalance.com

+39 0159842291

www.nonisbalance.com