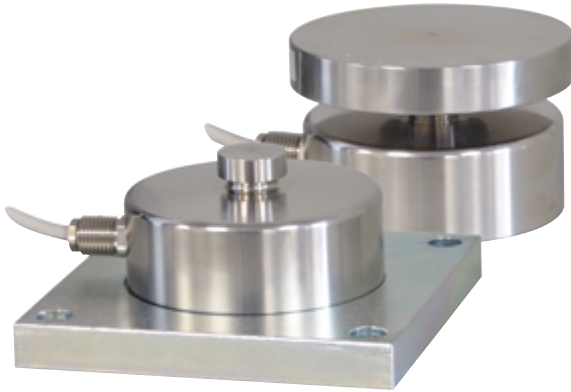




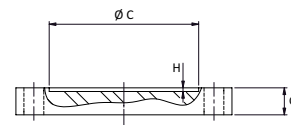
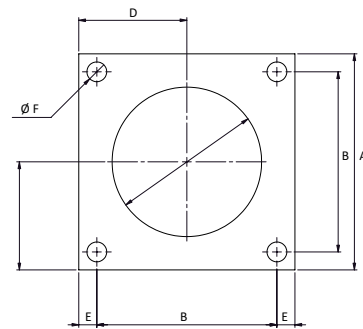
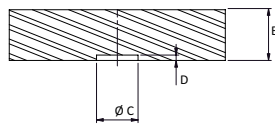
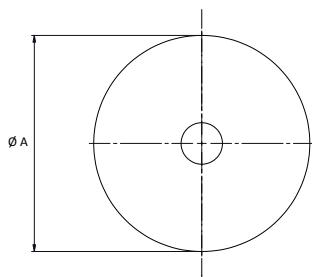
RX PLATES

250 kg ... 100 t



Load cell sold separately

- Plates designed for tank weighing
- Base plates made of zinc plated steel
- Standard Upper plates made of stainless steel
- Upper and Base plates sold separately



Upper plate for	Ø A	B	Ø C	D
R10X/R30X : 250 kg ... 15 t	82	15	23	3
R10X/R30X : 25 ... 30 t	89	15	36	3
R10X : 50 t S-Size	89	25	36	3
R10X : 50 t ... 100 t	89	25	62	4

Base plate for	A	B	Ø C	D	E	Ø F	G	H
R10X/R30X : 250 kg ... 15 t	120	100	83	60	10	11	15	2
R10X : 30 t ... 50 t S-Size	184	154	127	92	15	13	30	3
R10X : 50 t ... 100 t	240	200	165	120	20	17	30	3

All dimensions in mm. Dimensions and specifications do not constitute any liability whatsoever. Technical drawings are available on request.

scaimè

Distributed exclusively in Italy by Nonis Balance

TechnositeAltéa-294,Rue Georges
Charpak,74100JUVIGNY, France

NONIS

Impianti di pesatura industriali

P.za Elvo Tempia, 12,
13836 Cossato (BI), Italia

info@nonisbalance.com

+39 0159842291

www.nonisbalance.com