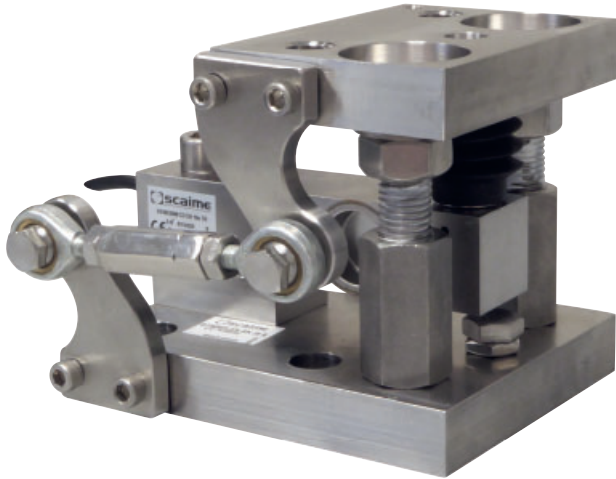


STABIFLEX-SK EVO

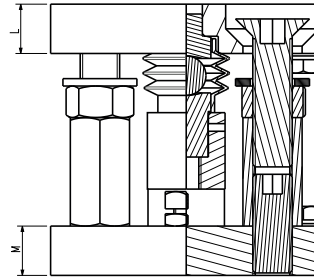
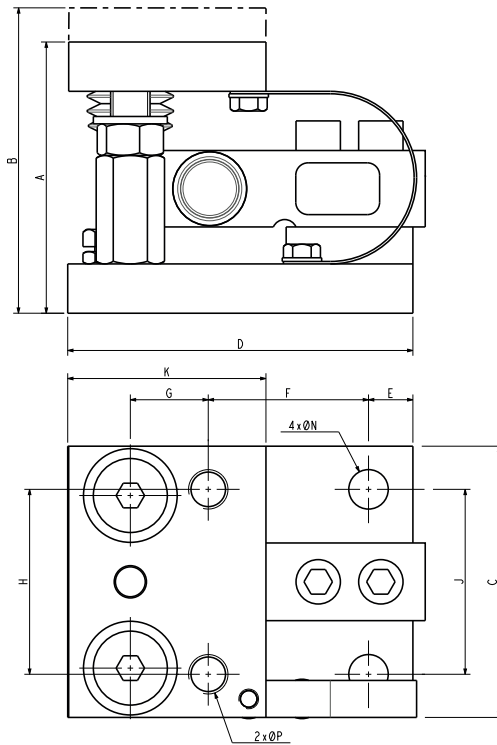
300 kg ... 5 t



Load cell and stay rod sold separately

- Designed for tank or hopper weighing
- Zinc plated steel or stainless steel construction
- Cross stoppers and lift off prevention included
- Ball-and-cup design for accurate weighing
- Integrated jacking bolts
- Optional stay rod to maintain the structure in dynamic application

STABIFLEX-F EVO without stay rod



Dimension [mm]		
for SK30X >>	0.3 ... 2 t	5 t
A	110	145
B*	118	153
C	110	150
D	140	180
E	18	20
F	65	85
G	31.6	43.4
H	75	100
J	75	100
K	80	95
L	20	25/27
M	20	25/23
N	16	20
P	M16 X 2	M20 X 2.5

* : Jack on high position

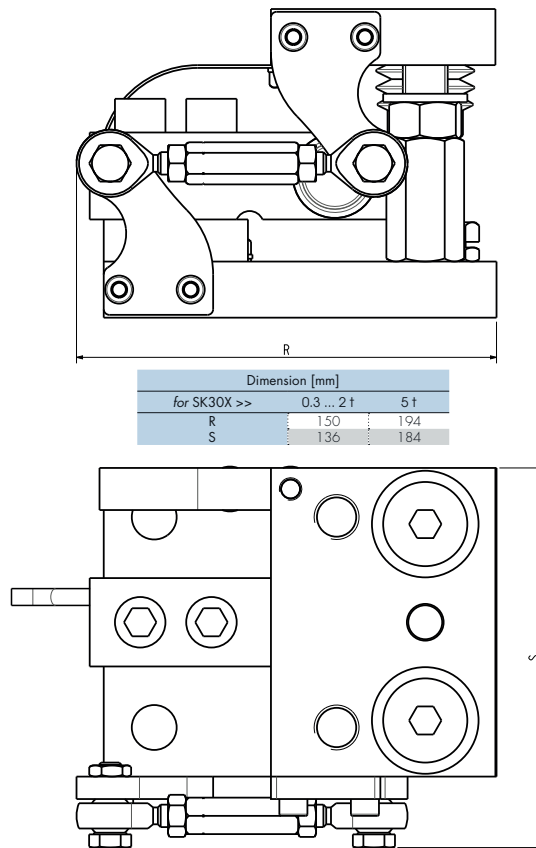
All dimensions in mm. Dimensions and specifications do not constitute any liability whatsoever. Technical drawings are available on request.



STABIFLEX-SK EVO

300 kg ... 5 t

STABIFLEX-SK EVO with 1 stay rod



All dimensions in mm. Dimensions and specifications do not constitute any liability whatsoever. Technical drawings are available on request.

Specifications

STABIFLEX-SK	2 t	5 t	
Matériau	Zinc plated steel		
SK30X/SK30A models	0.3 ... 2 t	3 t ... 5 t	
Max. displacement	±4	±4	mm
without rod	±0	±0	
with rod			
Max lateral force before stoppers	2.5	1.7	N/kg
In N by applied kg			
Max. Lift-off force	15.7	29.4	kN
Max lateral force	15.7	29.4	kN
STABIFLEX-SK X	2 t	5 t	
Matériau	Stainless steel		
FSK30X/SK30A models	0.3 ... 2 t	3 t ... 5 t	
Max. displacement	±4	±4	mm
without rod	±0	±0	
with rod			
Max. lateral force before stoppers	2.5	1.7	N/kg
In N by applied kg			
Max. Lift-off force	5.9	10.8	kN
Max. lateral force	5.9	10.8	kN

STABIFLEX-SK EVO

300 kg ... 5 t

Options

TIRANT STABILISATEUR	2 t	5 t
Material	Stainless steel	
Max. longitudinal force	4.9	9.8 kN
Stay rod influence on weighing	< ±50	g

Mounting examples

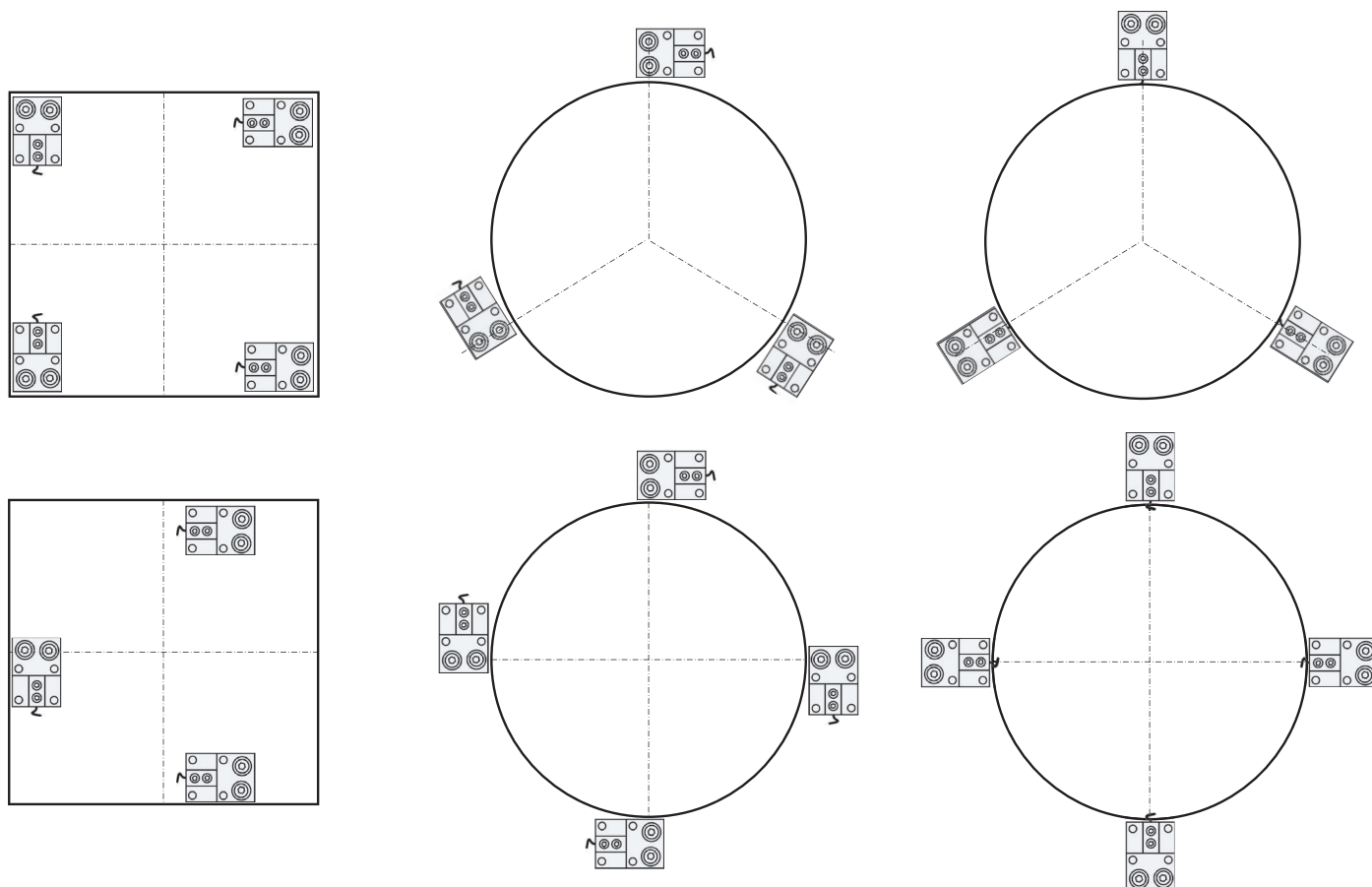
The STABIFLEX kit allows adding safely the weighing function to hoppers, tanks, mixers or conveyors.

The ball-in-cup mounting permits the structure expansion and preserves the weighing accuracy.

The lift-off prevention device and multidirectional stoppers ensure maximum safety.

For dynamic applications (Mixer, structure in motion), an optional stay rod can be added to hold the structure in place.

Sample orientations without stabilizers

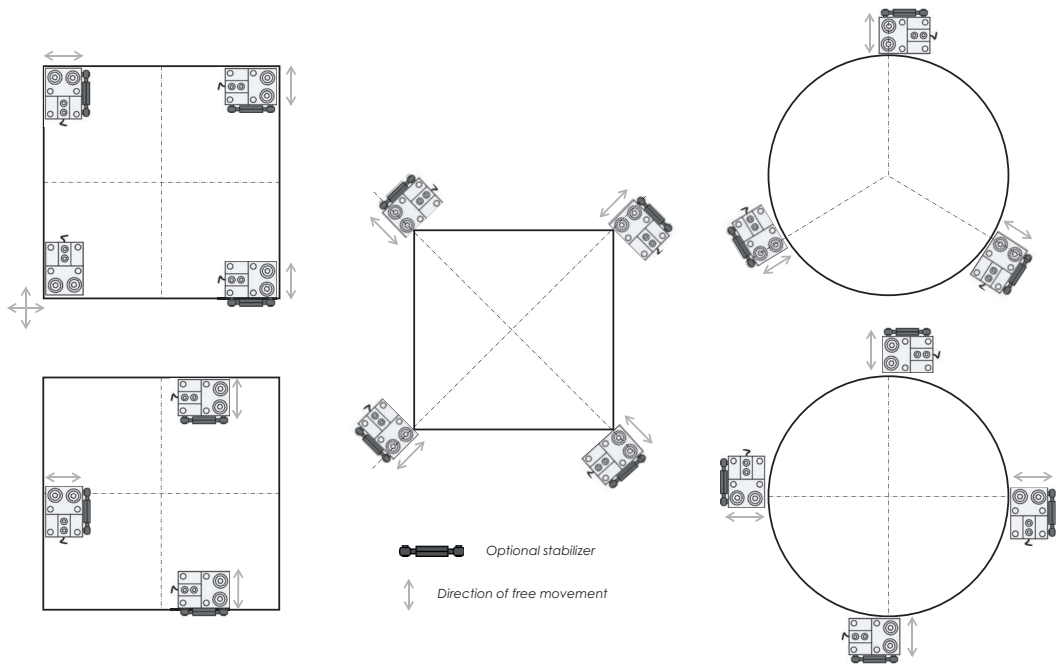


STABIFLEX-SK EVO

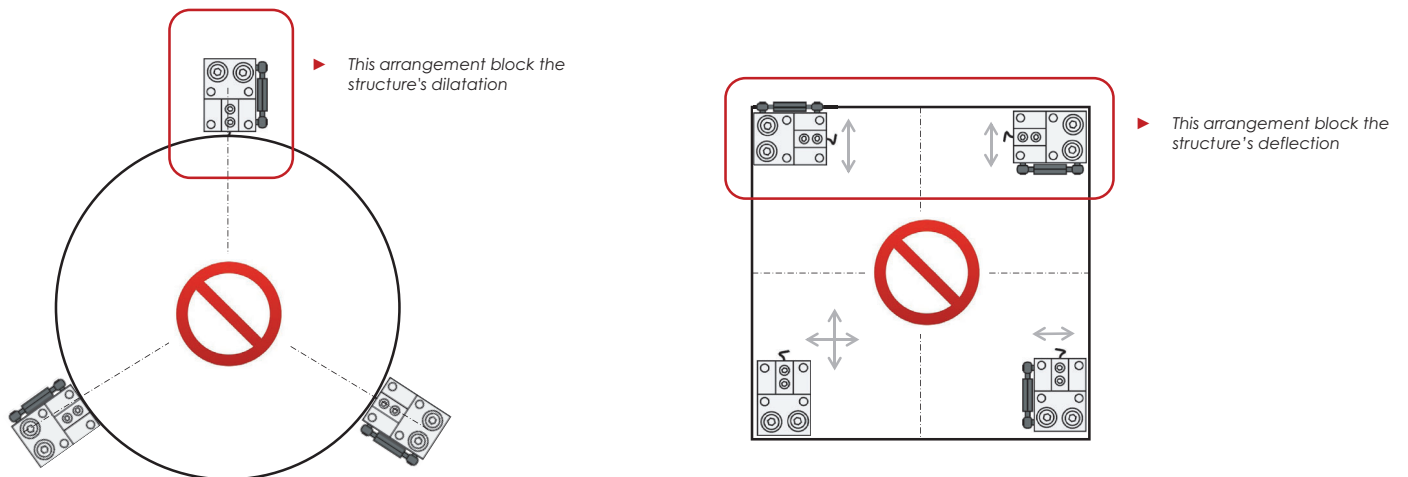
300 kg ... 5 t

Mounting examples

Sample orientations with stabilizers



- Examples of orientations to avoid: it could constrain the weighing system



scaime

Distributed exclusively in Italy by Nonis Balance

TechnositeAltéa-294,Rue Georges
Charpak,74100JUVIGNY, France

NONIS 
Impianti di pesatura industriali

P.za Elvo Tempia, 12,
13836 Cossato (BI), Italia

info@nonisbalance.com

+39 0159842291

www.nonisbalance.com