



Tank and silo weighing

Vessel Weighing, Level Control



Your process under control...

Reliability and safety are the most important factors to be taken into account when it comes to installing tank or silo weighing system. SCAIME has designed solutions to meet these requirements in all circumstances.

WEIGHING SOLUTION

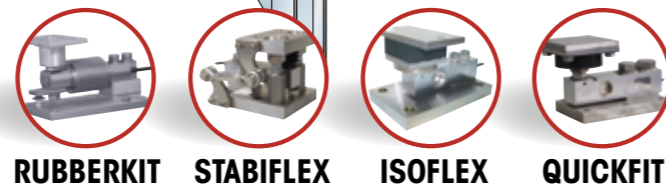
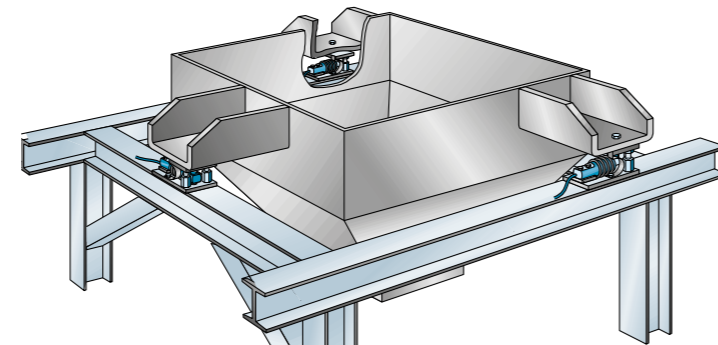
Load cells:

To fulfil each of your needs, our load cells cover a wide range of measuring capacities and are offered with different levels of protection and accuracy classes.

Mounting kits:

In order to restrict the influence of the environment on the performance of your measuring chain, we offer a wide range of accessories and mounting kits, suited to each application.

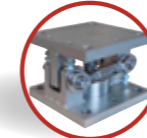
Hopper and blender weighing:



Tank and silo weighing:



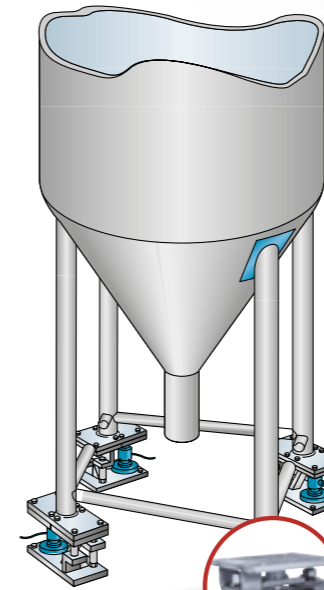
STABICAN



SILOSAFE



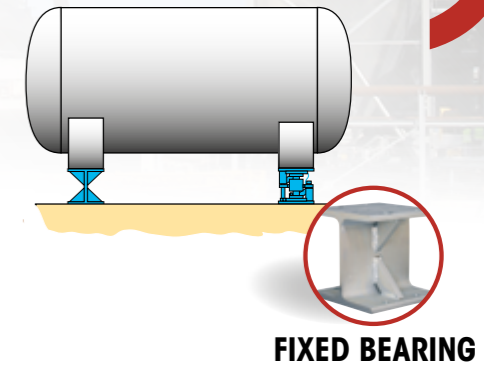
RH10X



SILOKIT-R

Horizontal tank weighing...

For level measurement of a lesser accuracy in tanks filled with liquids, it is possible to replace 2 of the 4 load cells with fixed bearings.

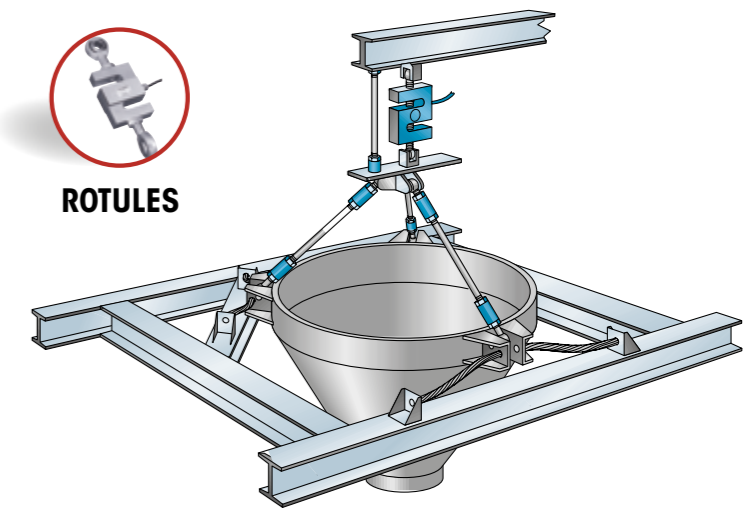


FIXED BEARING

Hanging hopper weighing:



ROTULES



Mounting kits	for	5 kg	50 kg	500 kg	5 t	50 t	500 t		
	RUBBERKIT	F60X 200 kg					Compression mounting kit Elastomer compensating for misalignments	
	ISOFLEX	SK30X SK30A	300 kg 		5 t			Compression mounting kit Vibration damping elastomer	
	QUICKFIT	SK30X SK30A	300 kg 		5 t			Compression mounting kit Easy installation High precision and adjustable height	
	STABIFLEX	F60X SK30X SK30A		5 t			Compression mounting kit Built-in side stoppers and lift-off prevention High precision ball and cup de-coupling	
	SILOKIT-R	R10X			1 t 	30 t		Compression mounting kit Built-in lift-off prevention and jack screw Side stabilization prevention	
	SILOSAFE	R10X R30X RH10X			1 t 	100 t	100 t 	750 t	Compression mounting kit Built-in lift-off prevention device and Rod end ball Side stabilization of very high capacity
	STABICAN	CB50X CA40X			5 t 	200 t		Compression mounting kit Rod end ball side stabilization Built-in lift-off prevention device	
	CUPS	RH10X				100 t 	1 000 t	High capacity load cell Compression mounting cups	
	ROD ENDS	ZF ZA30X	25 kg 					7.5 t	Rod end ball joint kit Hanging hopper weighing

Load cell mounting kits with EC-marking according to EN 1090



- To meet the requirements of the European regulation of construction products, the quality system of SCAIME is certified according to EN 1090.
- The SILOSAFE-R mounting kit is EC-marked guaranteeing compliance of its design and manufacturing to EN 1090-2, EXC2.

Measuring chain:

SCAIME offers all of the elements allowing a weighing system, adapted to your needs, to be built.

For a better integration into industrial environments, we offer:

- solutions for weighing in potentially explosive atmospheres.
- standardized interfaces to the main automation systems (CANopen®, Modbus-RTU, Modbus-TCP, PROFIBUS-DP, EtherNet/IP, PROFINET® and EtherCAT®...



ATEX / IECEx Certificats:

You will benefit from SCAIME expertise in the field of measurement in potentially explosive atmosphere, a flexible solutions for any ATEX or IECEx complying weighing installation.



LOAD CELLS



Model	F60X	SK30X	ZFA	ZA30X	R10X	R30X	RH10X	CB50X	CA40X
Type	Bending beam		Tension		Compression				
Rated load capacity (Cn)	5 ... 500 kg	300 kg ... 5 t	25 kg ... 5 t	0.5 ... 7.5 t	250 kg ... 100 t	1 ... 25 t	100 ... 1 000 t	5 ... 60 t	100 ... 200 t
Accuracy class	C3 / C6	C3 / C6	-	C3	-	C3	-	C4	-
Combined error (% Cn)	0.017 / 0.008	0.017 / 0.008	0.03	0.017	0.1	0.017	0.2	0.013	0.024
Construction	Stainless steel	Stainless steel	Nickel plated steel	Stainless steel	Stainless steel	Stainless steel	Stainless steel	Stainless steel	Stainless steel
Protection	Sealed, IP68	Sealed, IP68	Coated, IP67	Sealed, IP68	Sealed, IP68	Sealed, IP68	Sealed, IP68	Sealed, IP68	Sealed, IP68
Approbations	OIML, ATEX, IECEx, FM	OIML, NTEP, ATEX, IECEx, FM	-	OIML, ATEX, IECEx, FM	ATEX, IECEx	OIML	ATEX, IECEx	OIML, ATEX, IECEx	ATEX, IECEx

ELECTRONICS

● : Standard
○ : Optional



Model	CPJ	eNod3	eNod4-DIN	eNod4-BOX	IPE50 D/P	IPC20	IPC50
Type		Weighing transmitters			Weighing indicators		
Accuracy class	0.05 %	OIML 6 000 d	OIML 6 000 d	OIML 6 000 d	OIML 10 000 d	OIML 10 000 d	OIML 10 000 d
Internal resolution	-	24 bits	24 bits	24 bits	24 bits	24 bits	24 bits
Formatted resolution	-	±500 000 pts	±500 000 pts	±500 000 pts	200 000 pts	200 000 pts	200 000 pts
Max. measuring speed	-	6.25 ... 1 600 meas./s.	6.25 ... 1 600 meas./s.	6.25 ... 1 600 meas./s.	200 meas./s.	200 meas./s.	100 meas./s.
Logic Input (I) / Output (O)	○ 2 ○	● / ● 2 I / 4 O	○ / ● 4 I / 4 O	○ / ● 4 I / 4 O	● / ○ 2 I - 2 O / 6 O	- / -	○ 2 I / 2 O
Analog output	●	-	○	○	○	-	○
Communication	-	RS232, RS485 CANbus	USB, RS485 CANbus EtherNet	USB, RS485 CANbus EtherNet	RS232, RS485	RS232, RS485	RS232, RS485
Construction	ABS Box	Aluminum box	DIN Rail Box	Stainless steel box	ABS Box, Panel	ABS Box	ABS Box
Protocols	-	Modbus CANopen®	Modbus PROFIBUS-DP CANopen® EtherNet/IP PROFINET® EtherCAT®	Modbus PROFIBUS-DP CANopen® EtherNet/IP PROFINET® EtherCAT®	Modbus PROFIBUS® ASCII	ASCII	ASCII
Protections	-	IP67	-	IP65	IP65 front panel	IP54 / IP68	IP65 front panel
Display	-	-	○ 4"3 - 5"7	○ 4"3 - 5"7	LED 9 / 18 mm	LCD 25 mm	LCD 25 mm



Distributed exclusively in Italy by Nonis Balance

TechnositeAltéa-294,Rue Georges
Charpak,74100JUVIGNY, France



P.za Elvo Tempia, 12,
13836 Cossato (BI), Italia
info@nonisbalance.com

+39 0159842291

www.nonisbalance.com