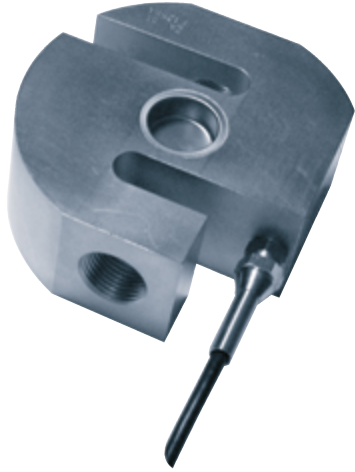
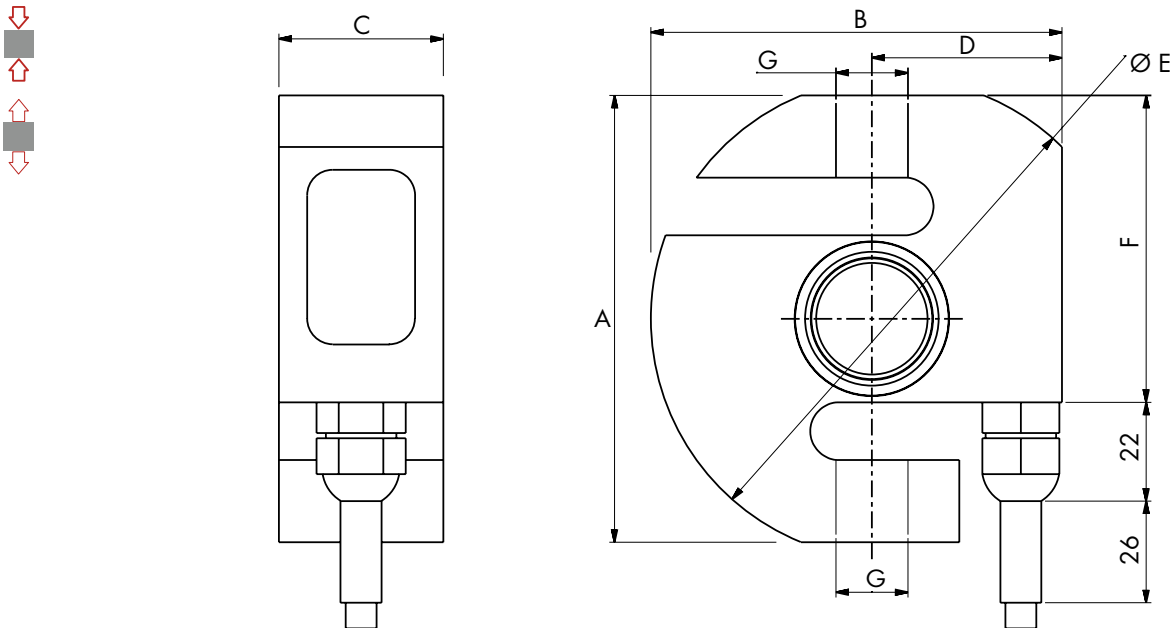


# ZA30X

## 500 kg ... 7.5 t



- Stainless steel construction, hermetically welded to IP68
- 3 000 d OIML approved
- Dedicated to tension or compression weighing and force applications
- Current calibrated signal output, for multi-load cells mounting
- Ideally suited for hanging hopper weighing



Cn	A	B	C	D	E	F	G
0.5 t	70	63	32	32	78	50.5	M12 x 1.75
1 ... 2 t	87	80	32	37	94	59.75	M16 x 2
5 t	110	107	45	50	118	74.25	M24 x 2
7.5 t	130	129	60	60	138	84.75	M30 x 2

All dimensions in mm. Dimensions and specifications do not constitute any liability whatsoever. Technical drawings are available on request.

### Wiring

+ excit.	+ signal	- signal	- excit.	+ sense	- sense
brown	yellow	white	green	grey	pink



# ZA30X

500 kg ... 7.5 t -

## Specifications

METROLOGICAL		C3 10e
Rated capacity (Cn)	0.5, 1, 2, 5, 7.5	t
Combined error	±0.017	%Cn
Temperature effect on zero	±0.0014	%Cn/°C
Temperature effect on sensitivity	±0.0014	%Cn/°C
Creep error (30 min.)	±0.024	%Cn

LEGAL METROLOGY OIML R60		C3
Accuracy class		C3
Maximum capacity (E <sub>max</sub> )	0.5, 1, 2, 5, 7.5	t
Max. number of LC intervals (n <sub>max</sub> )		3 000 d OIML
Minimum verification interval (v <sub>min</sub> )	E <sub>max</sub> /10 000	kg
Z=E <sub>max</sub> /(2xDR)		3 000

ELECTRICAL		
Nominal range of excitation voltage	1 ... 15	V
Rated output at Cn	2	mV/V
Current adjustment	±0.1	%Cn
Zero balance	±2.5	%Cn
Input/output resistance	382 ±20 / 350 ±5	Ω
Insulation resistance	5 000	MΩ/50V

GENERAL		
Compensated temperature range	-10 ... +40	°C
Service temperature range	-20 ... +60	°C
Safe load limit	150	%E <sub>max</sub>
Ultimate overload	300 (7.5 t : 200)	%E <sub>max</sub>
Tightening torque	-	Nm
Protection class	IP68	EN 60529
Material		
Measuring body		Stainless steel
Cable gland		PVC
Cable length		10 m
Net weight	0.5 t : 1 / 1 t : 1.5 / 2 t : 1.5 / 5 t : 2.9 / 7.5 t : 5	kg

## Options

ATEX 2014/34/EU, IECEx

⊕ II 1 G/D, Ex ia IIC T6 Ga, Ex ia IIIC T80°C Da, IP6X, -20°C < Ta < +60°C (zone 0/20)

⊕ II 1 D, Ex ta IIIC T125°C Da, IP6X, -20°C < Ta < +60°C (zone 20)

⊕ II 3 G, Ex nA IIC T6 Gc, -20°C < Ta < +60°C (zone 2)

FACTORY MUTUAL

I.S., CL I, II, III / DIV 1 / GP ABCDEFG  
N.I., CL I, II, III / DIV 2 / GP ABCDEFG; NIFW


## Accessories




joints ZA30X

 **scaimé**


Distributed exclusively in Italy by Nonis Balance


 TechnositeAltéa-294,Rue Georges  
Charpak,74100JUVIGNY, France

**NONIS**   
Impianti di pesatura industriali

 P.za Elvo Tempia, 12,  
13836 Cossato (BI), Italia

 info@nonisbalance.com

 +39 0159842291

 www.nonisbalance.com