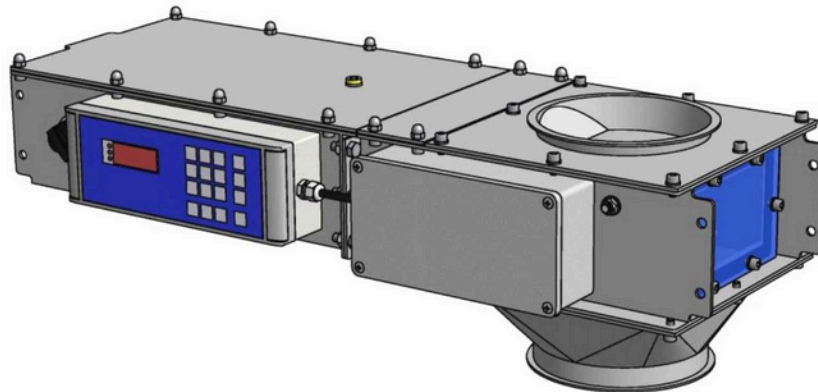




FLOW CONTROLLER FC3

Continuous gravimetric dosing of bulk materials



Characteristics

- Guillotine linear actuator with weight sensor
- Exact adjustment of the flow rate in Kg/h
- Totalization of the measured weight
- Very low installation height, with the possibility of mounting directly under the silo
- Control of the guillotine position and management of pre-set positions

Applications

The Flow Controller FC3 instrument is suitable for the following applications:

- Production of cereal mixtures by sampling and dosing from different silos
- Controlled sampling, directly from the silos, for constant feeding of the production plants
- Replacement of obsolete systems, with reduced installation costs

For the correct use of the Flow Controller instrument it is necessary to have a continuous supply of the incoming product

Functions

The electrically controlled guillotine actuator is installed inside the metal structure, made of steel. Downstream of the guillotine, a weight sensor measures the flow and capacity of the product.

The guillotine opens gradually until the required flow rate is reached, measured by the passage of the product over the weight sensor.

Sectors of use

All types of products and bulk materials can be measured: cereals, legumes, malt, pellets, soy beans, granules, various types of bran (specific design).





Construction

The FC3 Flow Controller device consists of a metal containment structure, a linear guillotine actuator mounted on bearings, a cylinder driven by a stepper motor, a load cell weight sensor and a digital weight indicator. The instrument is protected against dust and is designed to be installed on the outlet of a silo.

Models and capacities

The following models are available:

Type	Diameter tubing	Capacity and Bring	Height without flange	Height with flange
FC3.120	120 mm	20 m ³ /h	220 mm	135 mm
FC3.150	150 mm	40 m ³ /h	220 mm	135 mm
FC3.200	200 mm	80 m ³ /h	305 mm	170 mm
FC3.250	250 mm	140 m ³ /h	375 mm	225 mm
FC3.300	300 mm	200 m ³ /h	450 mm	240 mm

The structure is made of powder-coated steel in the color RAL7032. Inlet and outlet are circular in section, aligned vertically on the same axis.

Mechanical Integration

The device is normally installed on flared ducts, equipped with coupling flanges. On request it is possible to create different mechanical couplings. For operation it is necessary to have compressed air with a pressure greater than 3 bar.

Electronic weight indicator mod. FE128

- Separate indicator - Mod. FE710
- Mounted directly on the dosing unit LCD display and keyboard
- 24 Vdc power supply
- Easily integrated with the following connection methods:
- Analog output (0(4-20mA), Analog input (0-10 V), Profinet interface (optional), Profibus interface (optional)

